

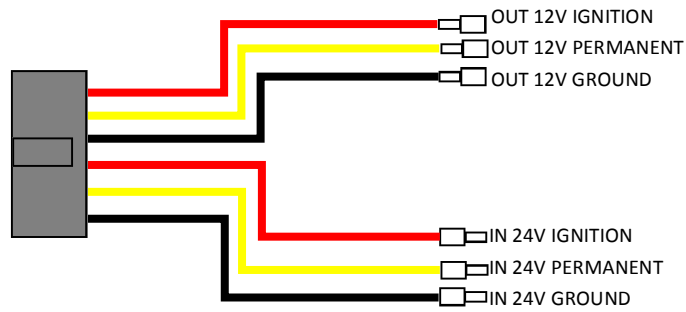


# RT2412

## VOLTAGE DROPPER 24/12 V - 10 A



Made in Italy by AUDICOM SRL [www.audicom.it](http://www.audicom.it)



### TECHNICAL FEATURES:

- Power Input voltage: **DC 14,4V – 30V**
- Output Voltage (regulated): **DC 13,8V ± 0,1V**
- Remote Input ON Voltage: **DC 15V – 30V**
- Remote Output ON Voltage: **DC 13,8V ± 0,1V**
- Output Current continuous: **9A**
- Output Current maximum Rating: **10A**
- Stand By Current: **<30mA**
- Conversion efficiency: **min 90%, max 95%**
- Operational Temperature Range: **-40° +85°**
- Protection: **Overload, Over Temperature, Input polarity inversion, Under Voltage, Over Voltage.**

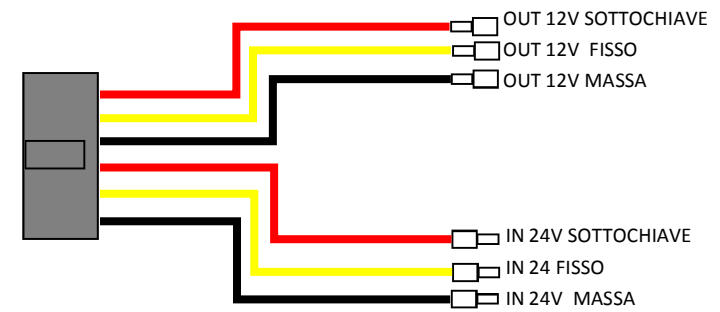


# RT2412

## RIDUTTORE DI TENSIONE 24/12 V - 10 A



Made in Italy by AUDICOM SRL [www.audicom.it](http://www.audicom.it)



### CARATTERISTICHE TECNICHE:

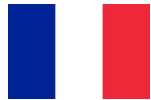
- Tensione di ingresso: **DC 14,4 V - 30V**
- Tensione in uscita: (regolamentato): **DC 13,8 V ± 0,1 V**
- Ingresso voltaggio remoto: **DC 15V - 30V**
- Uscita voltaggio remoto: **DC 13,8 V ± 0,1 V**
- Corrente di uscita continua: **9A**
- Corrente nominale di uscita massima: **10A**
- Consumo massimo a riposo: **<30mA**
- Efficienza di conversione: **min 90%, max 95%**
- Gamma di temperature operative: **-40° +85°**
- Protezioni: **sovraccarico, surriscaldamento, inversione di polarità in ingresso, sbalzi di tensione.**



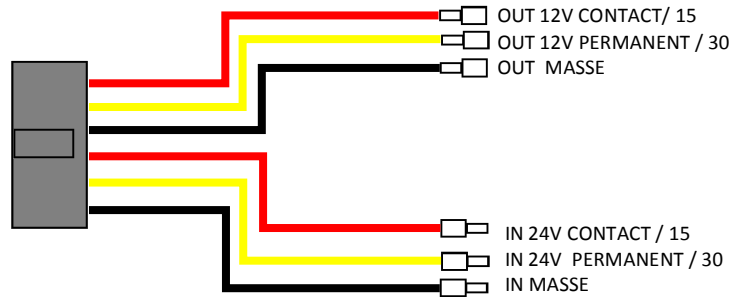


# RT2412

## REDUCTEUR DE TENSION 24/12 V - 10 A



Made in Italy by AUDICOM SRL [www.audicom.it](http://www.audicom.it)



### CARACTÉRISTIQUES TECHNIQUES:

- Tension d'entrée: **14,4 V DC - 30V**
- Tension de sortie: (réglementé): **13,8 V CC ± 0,1 V**
- Tension d'entrée: **DC 15V - 30V alimentation contact / 15**
- Tension de sortie: **DC 13,8 V ± 0,1 V**
- Courant de sortie continu: **9A**
- Maximum courant nominal de sortie: **10A**
- La consommation électrique maximale au ralenti: **<30mA**
- L'efficacité de conversion: **90% min, max 95%**
- Température de fonctionnement: **-40 ° +85 °**
- Protections: **surcharge, surchauffe, inversion de polarité, fluctuations de tension d'entrée.**

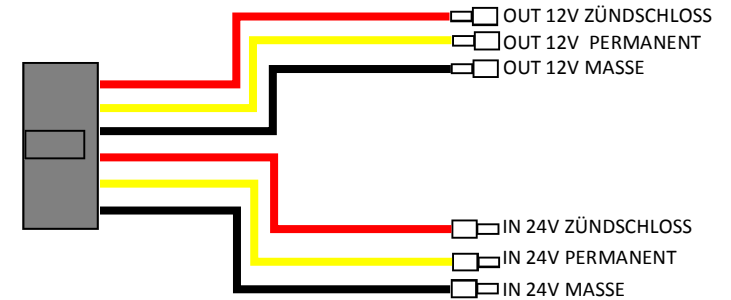


# RT2412

## SPANNUNGSWANDLER 24/12 V - 10 A



Made in Italy by AUDICOM SRL [www.audicom.it](http://www.audicom.it)



### TECHNISCHE DATEN:

- Eingangs-Spannung: **14,4 V DC - 30V**
- Ausgangs-Spannung: (geregelt): **13,8 V DC ± 0,1 V**
- Remote-Eingangsspannung: **DC 15V - 30V**
- Remote-Ausgangsspannung: **DC 13,8 V ± 0,1 V**
- Dauerausgangsstrom: **9A**
- Maximaler Nennstrom: **10A**
- Maximale Leistungsaufnahme im Leerlauf: **<30 mA**
- Wirkungsgrad: **90% min, max 95%**
- Arbeitstemperatur: **-40 ° +85 °**
- Schutz gegen: **Überlastung, Überhitzung, Verpolung, Schwankungen der Eingangs-Spannung.**

